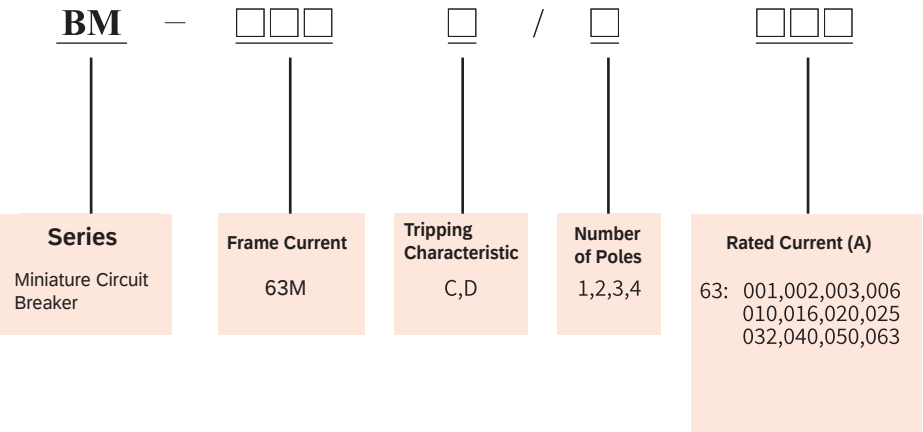


# Miniature Circuit Breakers

## BM Series Miniature Circuit Breaker Model Designation



Example:  
Miniature circuit breaker, BM series, 3 poles, 63A, C curve.  
Model designation: BM-63MC/3063

# Miniature Circuit Breakers

## Miniature Circuit Breaker Accessories – Model Designation

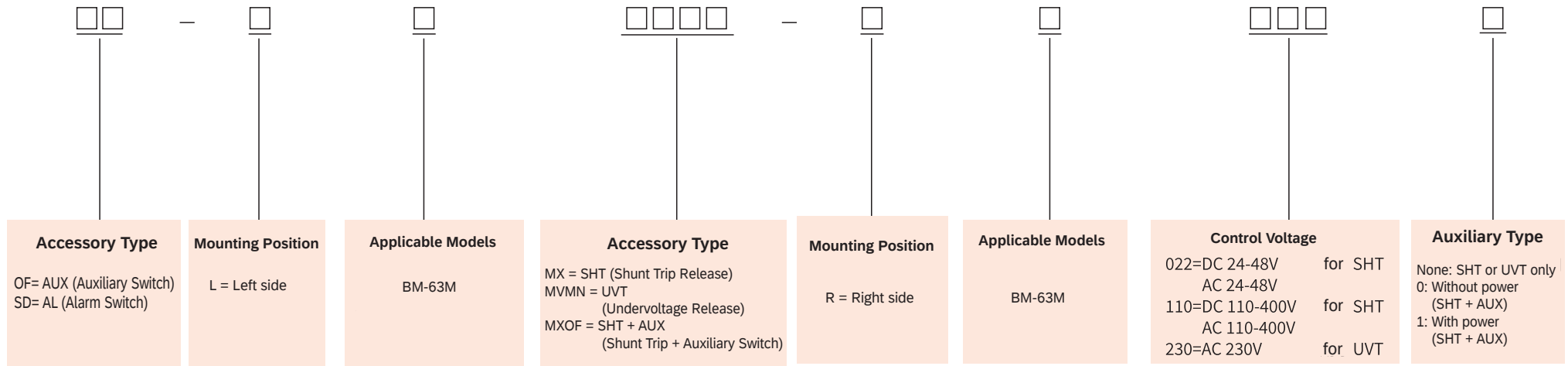


Figure 1

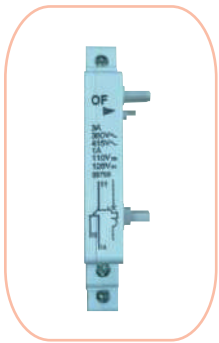
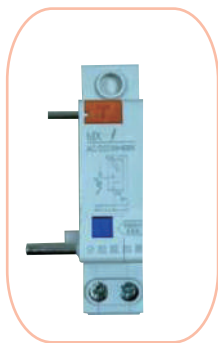


Figure 2



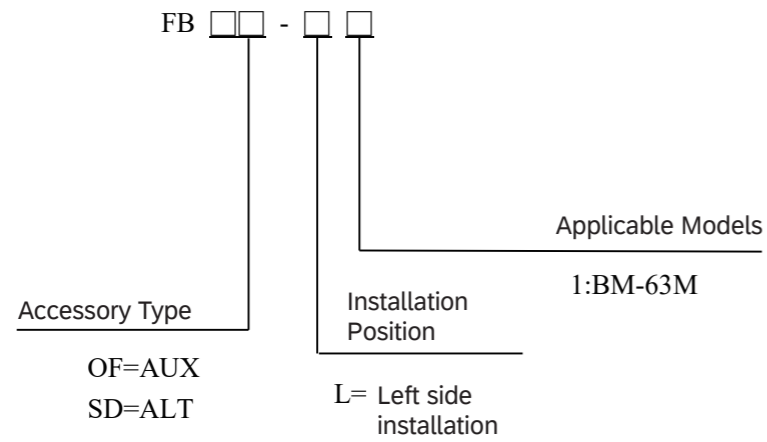
Example:  
 OF-L1  
 Auxiliary switch (AUX) for BM-63M

Example:  
 MX-R1022  
 Shunt trip release (SHT) for BM-63M, right-side mounting,  
 control voltage DC/AC 24-48V. (Figure 2)

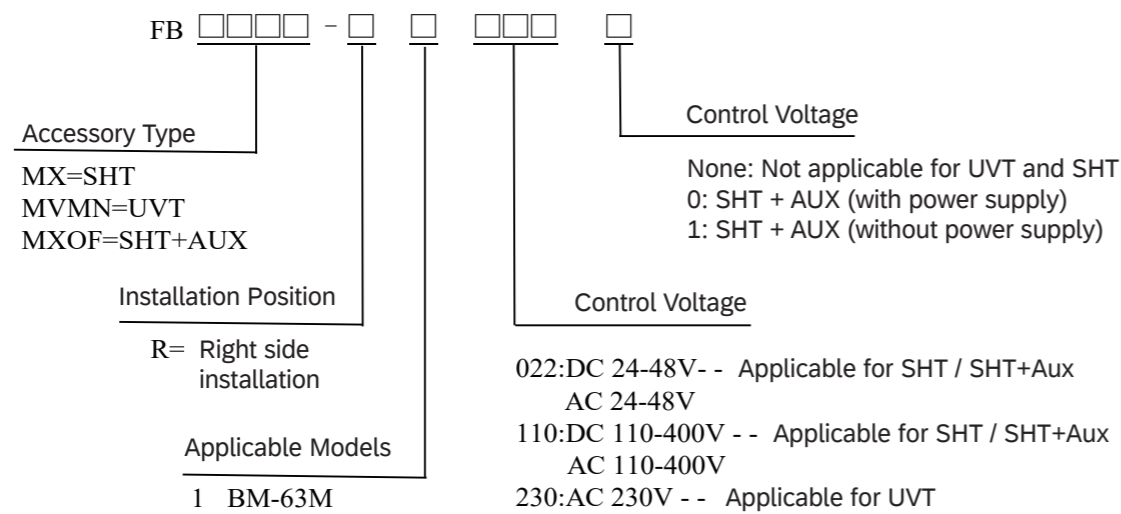


Miniature Circuit Breaker Accessories

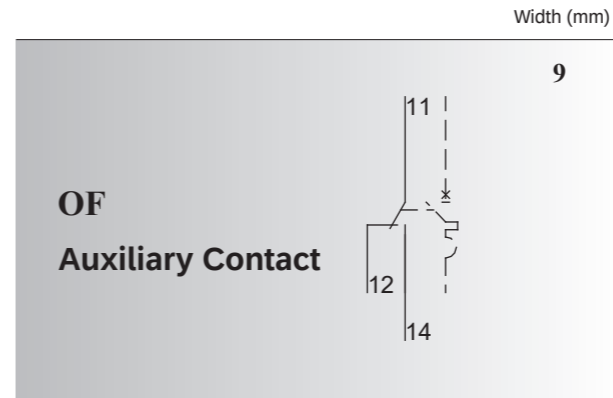
Type Selection Guide: OF, SD



Type Selection Guide: MX, MV+MN, MX+OF



Product Description: Accessories



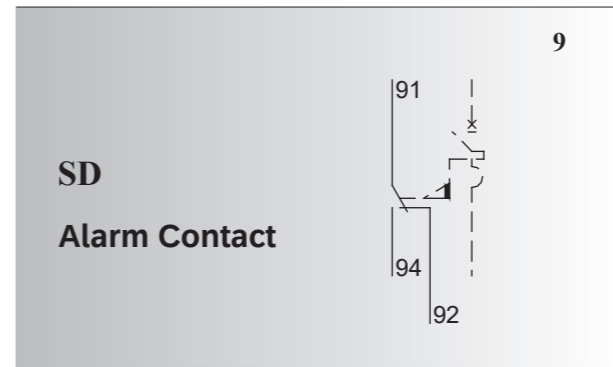
Applications

- Mounted on the left side of BM miniature circuit breaker
- Indicates ON/OFF status of the circuit breaker

Technical Specifications

- Rated operational current:
 

AC	380V	3A
AC	415V	3A
DC	110V	1A
DC	125V	1A



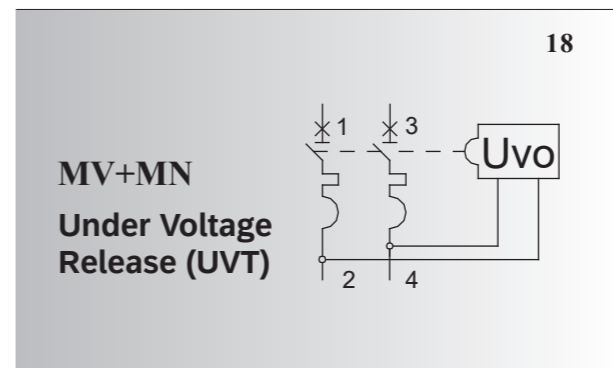
Applications

- Mounted on the left side of BM miniature circuit breaker
- Indicates trip status of the circuit breaker

Technical Specifications

- Rated operational current:
 

AC	415V	3A
AC	125V	1A



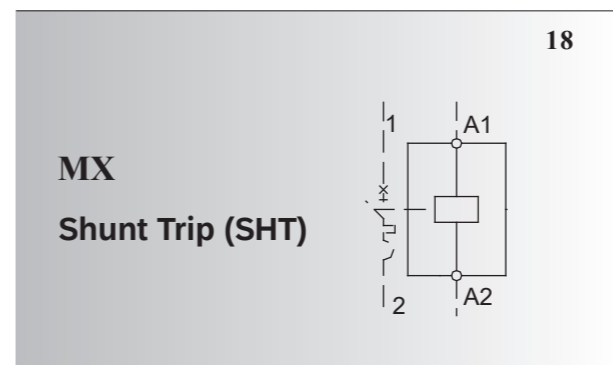
Applications

- Mounted on the right side of BM miniature circuit breaker (Left-side installation for BM-63S / BM-63SZ)
- Trips the circuit breaker when voltage drops to 70% (±5%) or rises to 120% (±5%) of rated voltage

Technical Specifications

- Control voltage:
 

AC	230V
----	------



Applications

- Mounted on the right side of BM miniature circuit breaker
- Enables remote tripping of the circuit breaker

Technical Specifications

- Control voltage:
 

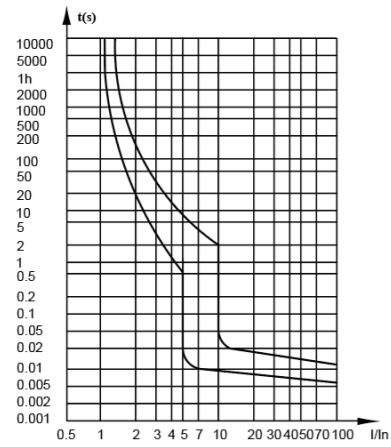
1:	DC 24-48V	AC 24-48V
2:	DC 110-400V	AC 110-400V

Wiring Capacity

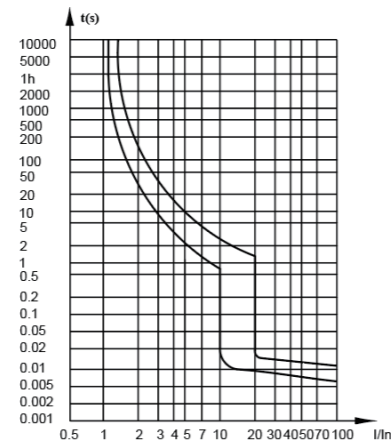
- Single wire: 2.5 mm<sup>2</sup>
- Double wire: 1.5 mm<sup>2</sup>

## Miniature Circuit Breaker Characteristics

### Tripping Characteristics



BM-63M  
C Type (5-10In)



BM-63M  
D Type (5-10In)

MCB

### Application in TT and TN-S Systems (Phase + Neutral)

In TT (three-phase four-wire) and TN-S (three-phase five-wire) systems, phase conductors and neutral must be disconnected simultaneously.

