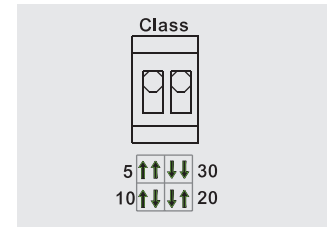


Electronic Overload Relays

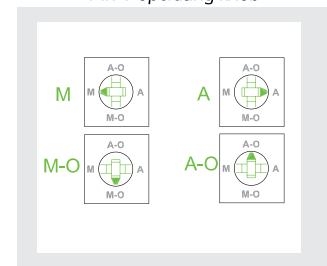
Features

- *MCU(Microprocessor Control Unit) designed.
- *Complied with IEC 60947-4-1, IEC 60947-5-1, UL 508 and CSA C22.2. Certificate : CE, UL, CSA, and TUV
- *Wide adjustable current range (5:1)
- *Phase failure, over current, inrush current, phase unbalance protection
- *Quick response protection within 3 seconds
- *Adjustable trip class 5/10/20/30
- *4-in-1 operating knob for automatic reset/automatic reset-stop/manual reset/manual reset-stop modes
- *Energy-saving with low heat loss, low power consumption
- *Installed with Din rail or screws

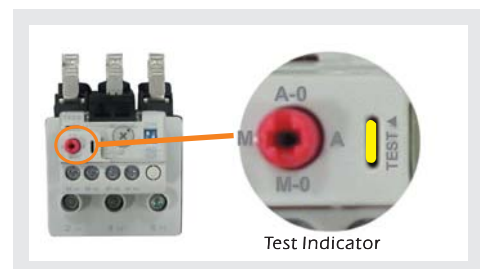
Adjustable current range






4-in-1 operating knob



Testing

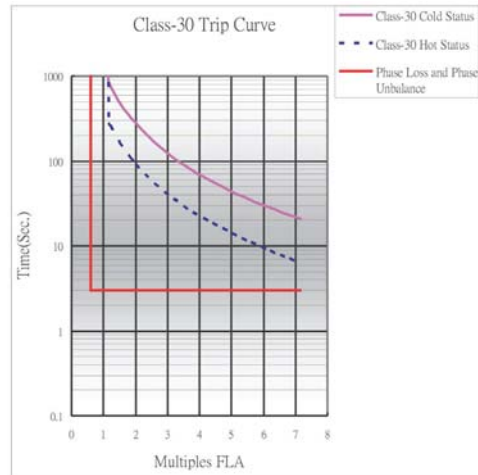
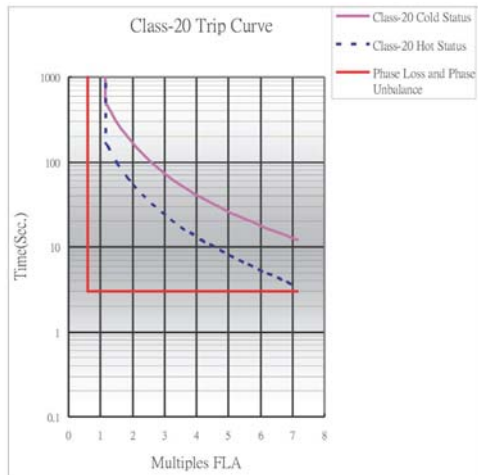
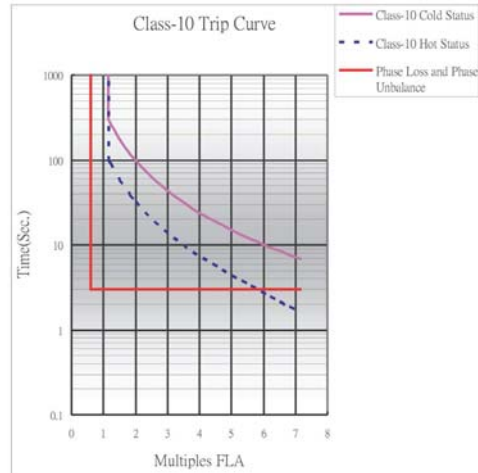
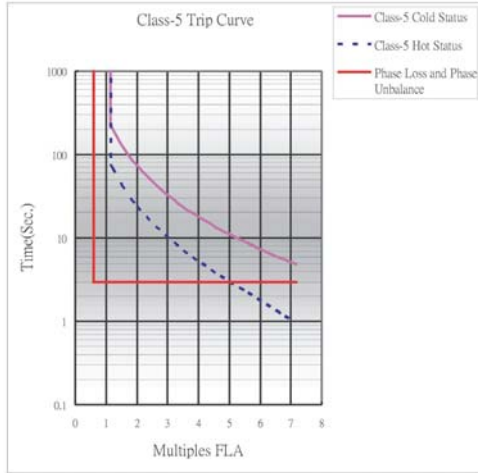


Electronic Overload Relays

Catalogue number		EOL-40/□□□-□	EOL-80/□□□-□	EOL-200/□□□-□
		 45x72.5x79.9 / 0.18	 65x93.5x107 / 0.55 65x106.8x115 / 0.6	 123x190x148.7 / 1.5
Specification	Control Unit	MCU		
	Power Consumption	<300mW		
	Current Sensors	3CT		
	Current Setting Ranges	0.1~0.5A (005) 6.4~32A (32) 0.4~2A (02) 9~45A (45) 1~5A (05) 1.6~8A (08)	15~75A (75) 22~110A (110)	30~150A (150)
	Operation Current Setting Ratio	5 : 1		
	CT	Internal		
	Insulation Voltage(Ui) IEC	Main Circuit	1000V	
		Auxiliary Circuit	690V	
	Operation Voltage (Ue) IEC	Main Circuit	690V	
		Auxiliary Circuit	660V	
	Resistance to Vibrations (IEC 60.068)	6g (any direction 5~150Hz)		
	Protection to Shock-Hazard, According to (VDE 0106 Part 100)	●		
	Impulse withstand Voltage	8kV		
	Index of protection (IP) (IEC 60529&VDE 0470)	IP 20	IP 20	IP 00
Trip Class (IEC)	5/10/20/30 selectable			
Self-Powered (control circuit)	●			
Ambient Temperature Compensation	●			
Mechanism Functions	Trip indication	●		
	Reset/Stop Functions	●		
	Reset	Manual / Auto and Stop on One Same Rod		
	Function Test Method (test button)	Mechanical (yellow)		
	Operation Protective Cover	●		
	Mounting	Panel Mounting	●	●
Din Rail (35mm)		●	—	—
Electronic Function	Power Indicate (LED)on/off (Main Circuit)	option		
	Hot/Cold State Trip Memory. Thermal Memory.	●		
	Automatic Reset Time	1.5 min ~ 4min		
	Manual Instantaneous Reset	●		
	Mounting Position	Any		
	Inrush Current Protection	12 times		
	Phase Loss Protection.	●(phase difference than>70% , will trip within 3 seconds.)		
	Phase Unbalance Protection.	●(phase difference than>40% , will trip within 3 seconds.)		
Compatible Contactor List	Overload curve	Inverse Time / Current Curve		
	1	CN-5/6	CU-50/65/80/90	CN-100R/125R
	2	CU-11/16	CN-100/125R	CN-150
	3	CU-18/22/32R	—	CN-180/220
	4	CU-38/40	—	—
P (Note 1)	●	●	—	

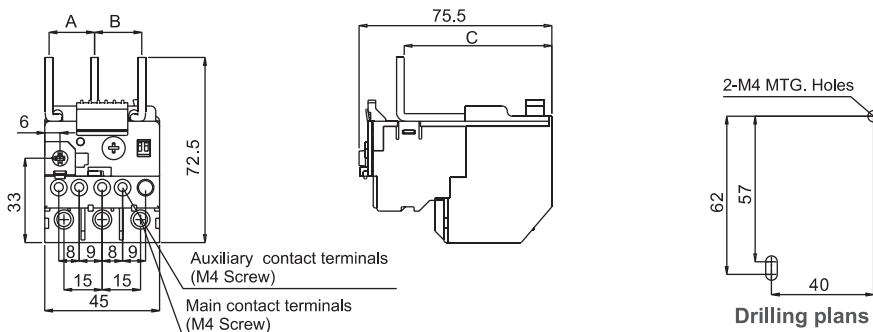
Notes ● : available — : not available 1 : Separate mounting type. 2 : Patent in Taiwan, China & US.

IEC Trip Class



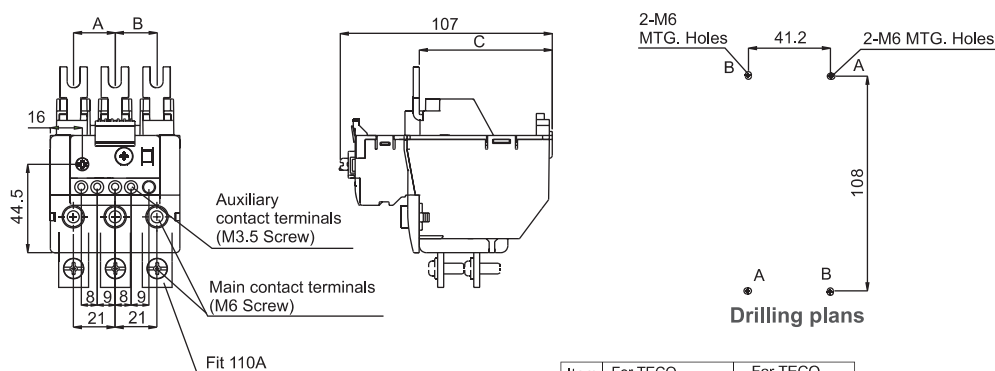
Electronic Overload Relays

EOL-40(45mm)



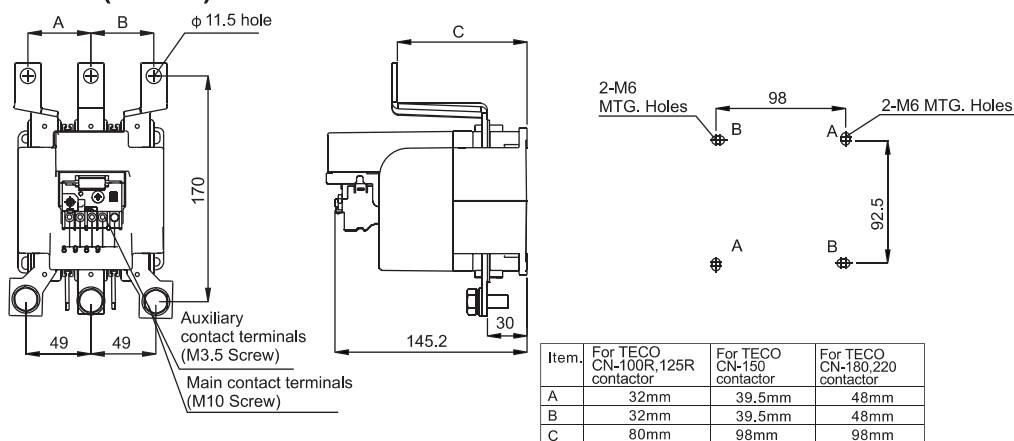
Item.	For TECO CN-5, 6 contactor	For TECO CU-11, 16 contactor	For TECO CU-18, 22 contactor	For TECO CU-38 contactor	For TECO CU-40 contactor
A	8.2mm	12.3mm	12.6mm	17.8mm	17.8mm
B	8.7mm	10.3mm	13mm	18.5mm	18.5mm
C	38.9mm	60.4mm	62.4mm	57.9mm	57.9mm

EOL-80(65mm)



Item.	For TECO CU-50, 65, 80 contactor	For TECO CN-100R contactor
A	21mm	32mm
B	21mm	32mm
C	67mm	82.3mm

EOL-200(110mm)



Item.	For TECO CN-100R, 125R contactor	For TECO CN-150 contactor	For TECO CN-180, 220 contactor
A	32mm	39.5mm	48mm
B	32mm	39.5mm	48mm
C	80mm	98mm	98mm