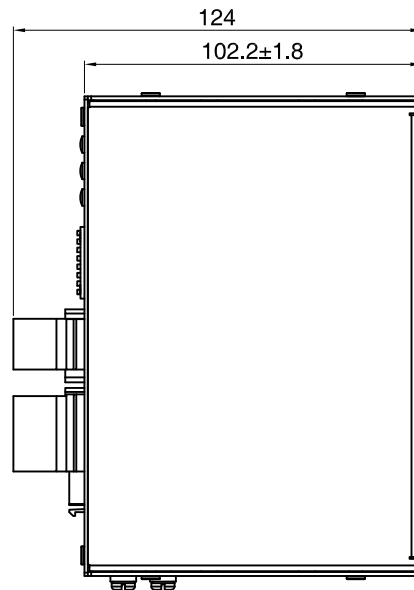
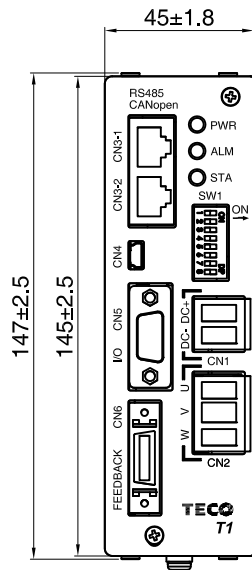
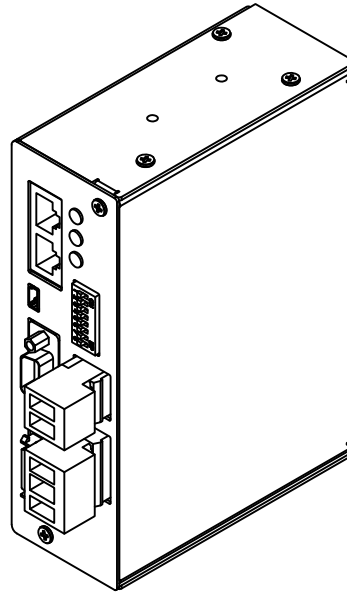
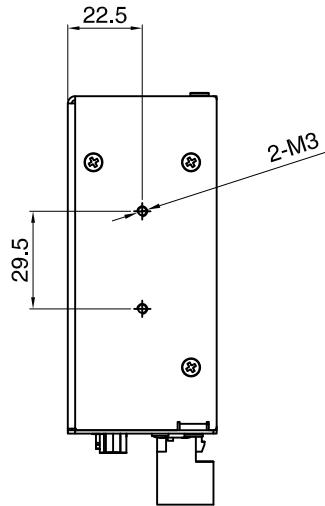


JSDT1-6D4
 JSDT1-12D4
 JSDT1-20D4



THESE DRAWINGS AND SPECIFICATIONS ARE THE PROPERTY OF
 TECO ELECTRIC & MACHINERY CO., LTD.
 AND SHALL NOT BE REPRODUCED OR USED AS THE BASIS FOR
 THE MANUFACTURE OR SELL OF APPARATUSES OR DEVICES
 WITHOUT PERMISSION.

東元電機股份有限公司
TECO ELECTRIC & MACHINERY CO., LTD.

| | |
|---------|--------------------------------|
| TYPE | JSDT1-6D4 JSDT1-12D4 / 20D4 |
| DWG.NO. | SVO-DT1-01 |